

CO₂ Component Description

Manifold “Y” Fitting
P/N: 81-207877-003

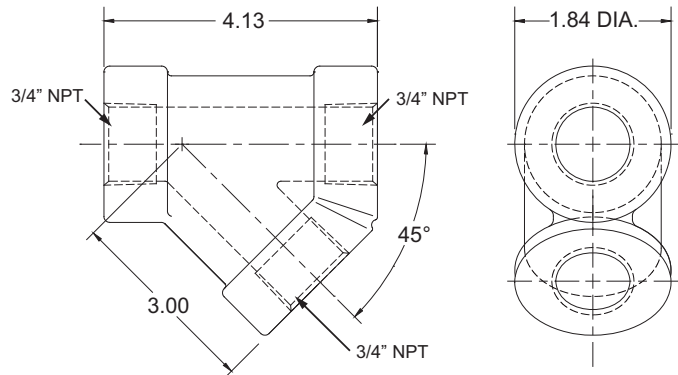
Effective: March 2020
 K-81-1111 Rev AA

FEATURES

- REACH compliant & RoHS Exempt

DESCRIPTION

The manifold “Y” fitting provides a single manifold connection point for two flexible hoses from adjacent cylinders. The single connection point eliminates the need to source and install multiple pipe fittings. The fitting may be used in the suppression manifold of a high-pressure carbon dioxide (HPCO₂) system installation. When used as part of HPCO₂ system suppression piping, the HPCO₂ cylinder discharge hose outlet will connect into the fitting. Alternatively, the manifold “Y” fitting can be used as part of an actuation arrangement for HPCO₂ or low-pressure carbon dioxide (LPCO₂) systems when using 1040-in³ or 2300-in³ nitrogen (N₂) cylinders. When using N₂ cylinders to pressurize the actuation arrangement, the N₂ cylinder discharge hose will connect into the fitting.



NOTE: Dimensions are for reference only.

MATERIAL

Galvanized Malleable Iron

COMPATIBILITY

For use on the following carbon dioxide systems:

Series	Manual P/N	Addendum P/N
High-Pressure CO ₂ Marine System	220610	06-237775-001
High-Pressure CO ₂ Industrial System	81-CO2MAN-001	06-237774-001
Low-Pressure CO ₂ Industrial System	64-CO2SYS-001	
See the corresponding manual and addendum for applicable approvals		

ORDERING INFORMATION

Description	Part Number
Fitting, Manifold “Y”	81-207877-003

REFERENCED COMPONENTS

Description	Reference Data Sheet
Discharge Hose, 3/4” NPT	K-81-1090
N ₂ Discharge Hose, 3/4” NPT	K-90-9180m

This literature is provided for informational purposes only. KIDDE-FENWAL, INC. believes this data to be accurate, but it is published and presented without any guarantee or warranty whatsoever. KIDDE-FENWAL, INC. assumes no responsibility for the product's suitability for a particular application. The fire suppression system design, installation, maintenance, service and troubleshooting must be performed by trained, authorized Kidde Fire Systems distributors for the product to work correctly. If you need more information on this product, or if you have a particular problem or question, contact KIDDE-FENWAL, INC., Ashland, MA 01721 USA. Telephone: (508) 881-2000.

EXPORT INFORMATION (USA)

Jurisdiction: EAR
 Classification: EAR99
 This document contains technical data subject to the EAR.

All trademarks are the property of their respective owners.
 ©2020 Kidde-Fenwal, Inc.

Kidde Fire Systems
 400 Main Street
 Ashland, MA 01721
 Ph: 508.881.2000
 Fax: 508.881.8920
kiddefiresystems.com